

SELF-PROPELLED SCISSORS | ELECTRIC

MAXIMIZE YOUR **PRODUCTIVITY**

Genie® self-propelled electric scissor lifts are the industry solution for increasing worksite productivity. Ideal for maneuvering in tight spaces, they're excellent for indoor and outdoor construction, maintenance and installation applications with firm, level surfaces. Characterized by low noise levels, these lifts provide excellent capacity and maximum platform workspace.

EASY SERVICE

On-board diagnostics help operators troubleshoot on the fly and make adjustments in the field to maximize uptime. Swing-out battery box and power module trays allow easy access to engine components for convenient service.



SIMPLE ACCESS

These compact units easily pass through standard single or double doors. Solid non-marking tires are standard (except GS-2668 DC and GS-3268 DC models).



The Genie® slab scissors family has been completely updated with features that enhance reliability, serviceability and performance.



CONVENIENT OPERATION

Low-emission electric scissors deliver a quiet, convenient method for operation in sound-sensitive environments like office buildings, shopping malls, hotels, schools and more. Gain access to even loftier jobs with the GS™-3232, which provides working heights up to 38 ft (11.75 m) while fitting into spaces as narrow as 32 in (81 cm) wide.



OUTDOOR FUNCTIONALITY

Electric self-propelled scissors offer outdoor functionality on firm, level surfaces, providing accessibility for a wide variety of applications.



COMPACT MANEUVERABILITY

All models have front-wheel drive and most models feature zero inside turning radius for excellent maneuverability in tight spaces like congested construction sites, elevators and narrow aisles.

ELECTRIC MODELS AVAILABLE

SINGLE-DOOR ACCESS

GS™-1530

GS™-1930

GS™-2032

GS™-2632

GS™-3232

DOUBLE-DOOR ACCESS

GS™-2046

GS™-2646

GS™-3246

GS™-2668 DC

GS™-3268 DC

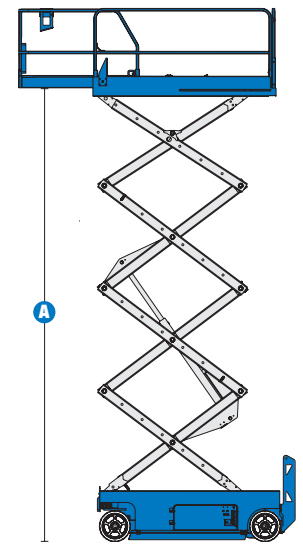
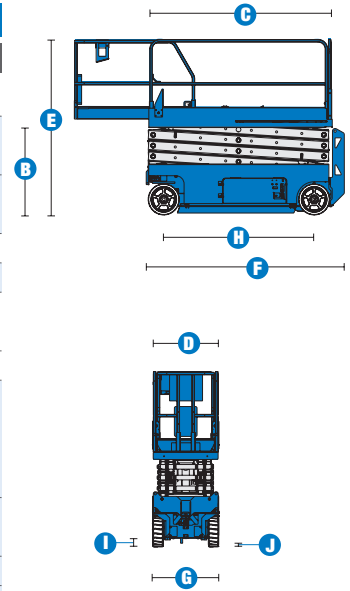
SELF-PROPELLED SCISSOR LIFTS

GS™-2032, GS™-2632 & GS™-3232



Specifications

MODELS	GS™-2032		GS™-2632		GS™-3232		
	US	Metric	US	Metric	US	Metric	
Working height maximum*	26 ft	8.10 m	32 ft	9.92 m	38 ft	11.75 m	
A Platform height maximum	20 ft	6.10 m	26 ft	7.92 m	32 ft	9.75 m	
B Platform height stowed	3 ft 4.5 in	1.03 m	3 ft 9.5 in	1.16 m	4 ft 2.75 in	1.29 m	
C Platform length - outside	7 ft 5 in	2.26 m	7 ft 5 in	2.26 m	7 ft 5 in	2.26 m	
	extended	10 ft 5 in	3.18 m	10 ft 5 in	3.18 m	10 ft 5 in	3.18 m
Slide-out platform extension deck	3 ft	.91 m	3 ft	.91 m	3 ft	.91 m	
D Platform width - outside	2 ft 8 in	.81 m	2 ft 8 in	.81 m	2 ft 8 in	.81 m	
Guardrail height: fixed rails	3 ft 3 in	.99 m	—	—	—	—	
	fold down rails (CE)	3 ft 7 in	1.10 m	3 ft 7 in	1.10 m	3 ft 7 in	1.10 m
Toeboard height	6 in	.15 m	6 in	.15 m	6 in	.15 m	
E Height - stowed	fixed rails	6 ft 8 in	2.03 m	—	—	—	—
	folding guardrails (CE)	7 ft	2.13 m	7 ft 5 in	2.26 m	8 ft	2.43 m
	rails folded	5 ft 9 in	1.75 m	6 ft 3 in	1.91 m	6 ft 8 in	2.03 m
F Length - stowed	8 ft	2.44 m	8 ft	2.44 m	8 ft	2.43 m	
	Length - extended	10 ft 11 in	3.33 m	10 ft 11 in	3.33 m	10 ft 11 in	3.33 m
G Width	2 ft 8 in	.81 m	2 ft 8 in	.81 m	2 ft 8 in	.81 m	
H Wheelbase	6 ft 1 in	1.85 m	6 ft 1 in	1.85 m	6 ft 1 in	1.85 m	
I Ground clearance - center	3.5 in	.09 m	3.5 in	.09 m	3.5 in	.09 m	
J - with pothole guards deployed	.75 in	.02 m	.75 in	.02 m	.75 in	.02 m	



PRODUCTIVITY						
Maximum platform occupancy**	2	2	2	2	2	2
Lift capacity	800 lbs	363 kg	500 lbs	227 kg	500 lbs	227 kg
Extension deck capacity	250 lbs	113 kg	250 lbs	113 kg	250 lbs	113 kg
Drive height	full height		full height		22 ft	6.71 m
Drive speed - stowed	2.2 mph	3.5 km/h	2.2 mph	3.5 km/h	2.2 mph	3.5 km/h
Drive speed - raised	0.5 mph	0.8 km/h	0.5 mph	0.8 km/h	0.5 mph	0.8 km/h
Gradeability - stowed***	30%		25%		25%	
Maximum outrigger leveling: front to back	—		—		3°	
	side to side		—		5°	
Turning radius - inside	zero	zero	zero	zero	zero	zero
Turning radius - outside	7 ft	2.13 m	7 ft	2.13 m	7 ft	2.13 m
Raise / lower speed	30 / 34 sec	30 / 34 sec	30 / 40 sec	30 / 40 sec	57 / 40 sec	57 / 40 sec
Controls	proportional		proportional		proportional	
Drive	dual front wheel		dual front wheel		dual front wheel	
Multiple disc brakes	dual rear wheel		dual rear wheel		dual rear wheel	
Tires - solid non-marking	15 x 5 x 11 in	38 x 13 x 28 cm	15 x 5 x 11 in	38 x 13 x 28 cm	15 x 5 x 11 in	38 x 13 x 28 cm

POWER						
Power source	24 V DC (four 6V 225 Ah batteries)		24 V DC (four 6V 225 Ah batteries)		24 V DC (four 6V 225 Ah batteries)	
Hydraulic system capacity	3.75 gal	14.2 L	3.75 gal	14.2 L	3.75 gal	14.2 L

WEIGHT****						
ANSI, CSA	3,574 lbs	1,621 kg	4,413 lbs	2,002 kg	5,185 lbs	2,352 kg
CE, AUS	4,024 lbs	1,825 kg	4,313 lbs	1,956 kg	5,185 lbs	2,352 kg

STANDARDS COMPLIANCE	ANSI A92.6, CSA B354.2, CE Compliance, AS 1418.10					
----------------------	---	--	--	--	--	--

Features

STANDARD FEATURES

MEASUREMENTS

GS™-2032

- 26 ft (8.10 m) working height
- Up to 800 lb (363 kg) lift capacity

GS™-2632

- 32 ft (9.92 m) working height
- Up to 500 lb (227 kg) lift capacity

GS™-3232

- 38 ft (11.75 m) working height
- Up to 500 lb (227 kg) lift capacity

PRODUCTIVITY

- 89 x 32 in (2.26 x .81 m) steel platform
- 36 in (.91 m) extension deck
- Fixed rail with chain entry gate (standard GS-2032)
- Folding rails with half-height swing gate (standard on all CE, GS-2632, GS-3232)
- Automatic leveling outriggers (GS-3232 only)
- Dual front wheel drive
- Universal 20 amp smart charger
- Proportional lift and drive
- Platform control with battery charge indicator and diagnostic display
- Onboard diagnostic system
- AC power to platform
- Manual platform lowering valve
- Emergency stop at both platform and ground controls
- Multiple disc brakes
- Brake release
- Solid non-marking tires
- Pothole guards
- Tilt level sensor with audible alarm
- Descent alarm
- Electronic horn
- Hour meter

POWER

- 24 V DC (four 6 V 225 Ah batteries)

OPTIONS & ACCESSORIES

PRODUCTIVITY

- Folding rails with half-height swing gate (GS-2032)
- Platform swing gate, half-height (GS-2032)
- Air line to platform
- Dual flashing beacons
- Panel mounted, recessed charger receptacle
- Motion package
- Platform work lights
- Automotive horn
- Laser locator (GS-3232)

POWER

- Power Inverter
- Maintenance-free batteries
- EE rating



Working At Height Limited

(Southern Office)
Amberley Court
Old Elstead Road
Milford
Surrey
GU8 5EB

Tel: 01483 415 410
Fax: 01483 417 719

Working At Height Limited

(Northern Office)
The Portergate
Ecclesall Road
Sheffield
South Yorkshire
S11 8NX

Tel: 0114 209 6206
Fax: 0114 209 6001

Suppliers of:

Powered Access Platforms
Aerial Work Platforms
Runabout Access Platforms
Scissor Lifts
Articulating Boom Access Platforms
Telescopic Boom Access Platforms
Material Lifts
Telehandlers
MEWPS Training