



## AH8831 SD | AH8841 SD ROUGH TERRAIN SCISSOR LIFTS

Full-Size Rough Terrain Scissor Lifts deliver huge platforms, soaring work heights and heavy duty capacities— all in one package! The 8831 SD and 8841 SD feature working heights of 11.45 m and 14.50 m respectively. Both models are equipped with standard independent/auto leveling outriggers, are drivable at full height, with capacities ranging to 909 kg allowing for maximized productivity.

An easily accessible Kubota diesel engine powers a robust axle based 4WD system with “no-spin” and limited slip differentials, delivering excellent job site terrainability.



**WORKING AT HEIGHT**

# ROUGH TERRAIN SCISSOR LIFTS

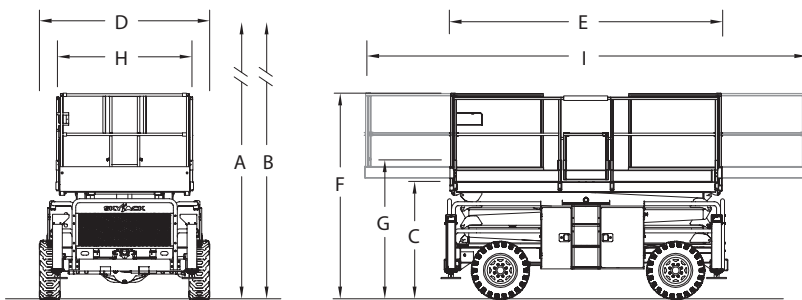
## SPECIFICATIONS

AH8831 SD

AH8841 SD

2006/42/CE

A Work Height	11.45 m	14.50 m
B Raised Platform Height	9.45 m	12.50 m
C Lowered Platform Height	1.50 m	1.75 m
D Overall Width	2.20 m	2.20 m
E Overall Length	3.53 m	3.53 m
F Stowed Height (Rails Up)	2.67 m	2.90 m
G Stowed Height (Rails Down)	1.99 m	2.22 m
H Platform Width (Inside Dimension)	1.70 m	1.70 m
Platform Length Stowed (Inside Dimension)	3.40 m	3.40 m
I Platform Length Extended (Inside Dimension)	5.70 m	5.70 m
Ground Clearance	0.20 m	0.20 m
Wheelbase	2.27 m	2.27 m
Weight	5684 kg	6173 kg
Gradeability	30%	30%
Turning Radius (Inside)	4.01 m	4.01 m
Turning Radius (Outside)	6.30 m	6.30 m
Lift Time (With Rated Load)	46 sec	71 sec
Drive Speed (Stowed)	4.5 km/h	4.5 km/h
Drive Speed (Raised)	0.4 km/h	0.4 km/h
Maximum Drive Height	Full	Full
Capacity (Overall)	909 kg	681 kg
Maximum # of Persons	6	5



## STANDARD FEATURES

- Axle based 4WD
- "No Spin" rear differential and limited slip front differential
- Disc brake system on rear axle
- 29hp Kubota Diesel engine on roll out tray
- Independent/auto levelling outriggers
- Self-centering scissor design
- Dual 1.22 m roll out extension decks
- Analog control system
- Colour coded and numbered wiring system
- 30% Gradeability
- Grip lug, foam-filled tires
- Wiring for AC outlet on platform
- Tilt alarm with drive & lift cut-out
- Overload sensing system
- Flashing light
- Operator horn
- Fold down hinged railing system
- Half height spring hinged gates on sides
- Lanyard attachment points
- Scissor guards
- Tie down/lift lugs

## OPTIONS†

- Dual 1.22 m powered extension decks
- Diesel scrubber
- Airline to platform
- 3.5kW hydraulic generator
- Full height spring hinged gates
- Non-marking grip lug foam-filled tyres
- All motion audible alarm

† Capacities, and machine weights may differ when options are added

Model	Capacity With 2 Extension Decks*		
	Main	Front Ext.	Rear Ext.
AH8831	454 kg	227 kg	227 kg
AH8841	227 kg	227 kg	227 kg

### Working At Height Limited

(Southern Office)  
Amberley Court  
Old Elstead Road  
Milford  
Surrey  
GU8 5EB

Tel: 01483 415 410  
Fax: 01483 417 719

### Working At Height Limited

(Northern Office)  
The Portergate  
Ecclesall Road  
Sheffield  
South Yorkshire  
S11 8NX

Tel: 0114 209 6206  
Fax: 0114 209 6001

### Suppliers of:

Powered Access Platforms  
Aerial Work Platforms  
Runabout Access Platforms  
Scissor Lifts  
Articulating Boom Access Platforms  
Telescopic Boom Access Platforms  
Material Lifts  
Telehandlers  
MEWPS Training