

AH VERTICAL PLATFORM RANGE

AH 7/8/9/11/12/13/14



- One person set up and operation
- Compact dimensions allows access through standard doorways
- Low weight allows use on load sensitive flooring
- Quick and easy set up
- One person loading and unloading

WORKINGATHEIGHT

www.workingatheightltd.com

Advantages

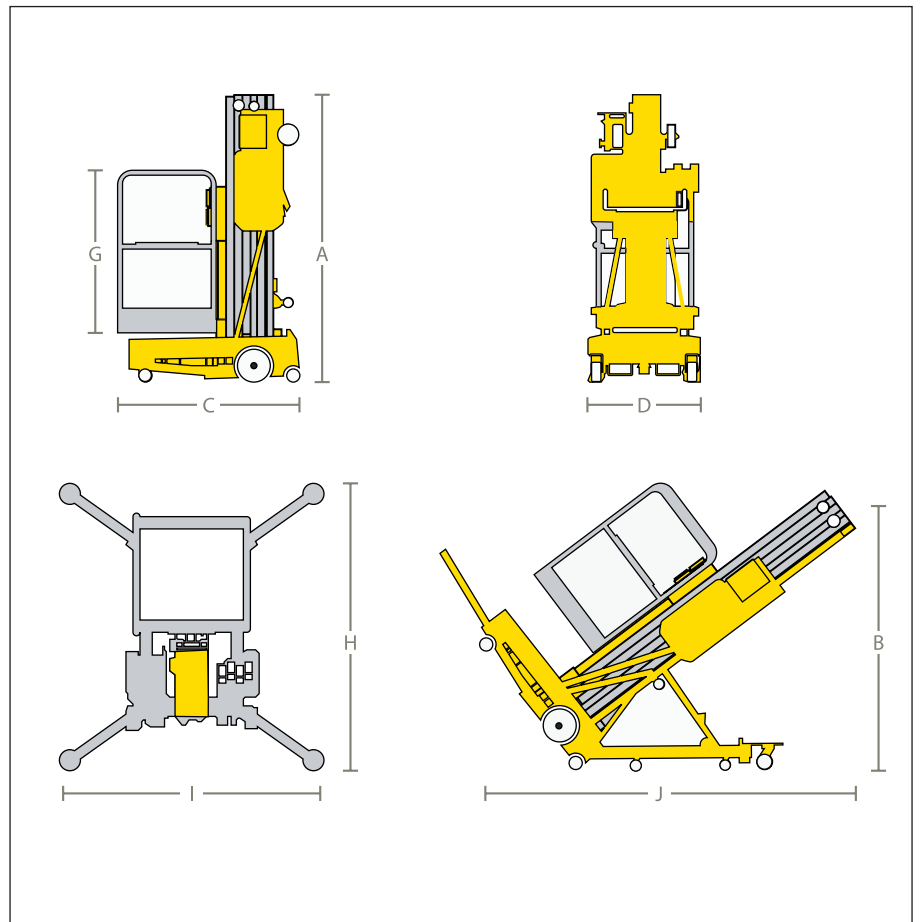
- Easy to install and set up.
- Easy “stand up” access through flip up top rail into basket.
- Only one man for loading and unloading.
- The AH compact dimensions allows access through standard doorways.
- The QU low weight allows works on fragile grounds.
- Cage and mast in aluminium.

STANDARD FEATURES

- Push button controls.
- 220V A/C power to platform.
- Ac power available.
- Emergency stop button.
- Outriggers indicator lights.
- Manual emergency valve.

OPTIONS

- Rough terrain type (AH 7-8-9-11-12)
- DC power available



SPECIFICATIONS

	AH7 QU	AH8 QU	AH9 QU	AH11 QU	AH12 QU	AH13 QU	AH14 QU
Working height	6.40m/20ft11in	7.80m/25ft7in	9.10m/29ft10in	10.50m/34ft5in	11.90m/39ft4in	12.60m/41ft4in	13.80m/45ft3in
Platform height	4.53m/14ft10in	5.91m/19ft4in	7.23m/23ft8in	8.68m/28ft5in	10.06m/32ft10in	10.75m/33ft0in	11.92m/39ft1in
Platform capacity	159kg / 351lb						136kg / 300lb
Max Platform size	0,66m x 0,69m / 26in x 27in						
Ⓒ Stowed length	1.21m/3ft11in	1.27m/4ft2in	1.34m/4ft4in	1.40m/4ft7in	1,46m / 4ft 9in	1.34m/4ft4in	1.40m/4ft7in
Ⓓ Stowed width	0,74m / 2ft 5in					0,80m / 2ft 7in	
Ⓐ Stowed height	1.97m/6ft5in					2.77m/9ft1in	
Ⓔ Guardrails height	1,14m / 3ft 9in						
Ⓘ x Ⓜ Outriggers footprint	1.38mX1.68m 54inX66in		1,6m x 1,9m 63in x 75in		1.81mX2,10m 71inX83in	1,81m x 2,1m 71in x 83in	2.02mX2.32m 80inX91in
J x B Tilt bar	2,11m x 1,75m / 83in x 69in					2,82m x 1,97m / 111in x 78in	
Energy (AC)	110 ou 220 V						
Weight (AC version)	305kg/672lb	326kg/719lb	347kg/765lb	368kg/811lb	389kg/858lb	461kg/1016lb	472kg/1041lb
Energy (batteries)	12V						
Weight (batteries version)	346kg/762lb	366kg/807lb	387kg/853lb	408kg/899lb	429kg/946lb	501kg/1104lb	512kg/1129lb

Working At Height Limited
(Southern Office)
Amberley Court
Old Elstead Road
Milford
Surrey
GU8 5EB

Tel: 01483 415 410
Fax: 01483 417 719

Working At Height Limited
(Northern Office)
The Portergate
Ecclesall Road
Sheffield
South Yorkshire
S11 8NX

Tel: 0114 209 6206
Fax: 0114 209 6001

Suppliers of:
Powered Access Platforms
Aerial Work Platforms
Runabout Access Platforms
Scissor Lifts
Articulating Boom Access Platforms
Telescopic Boom Access Platforms
Material Lifts
Telehandlers
MEWPS Training