



Performance & ease of use

- Continuous outreach control
- Outstanding rough terrain driving features: 4 wheel drive and steer, oscillating axle
- Up to 4 simultaneous, proportional movements
- The smallest turning radius on the market

Optimized serviceability

- Exclusive modular basket easy and quick to repair
- Easy access to all components
- Self-diagnosis tool integrated on the lower control box

Best safety feeling

- Activ' Shield Bar



WORKING AT HEIGHT





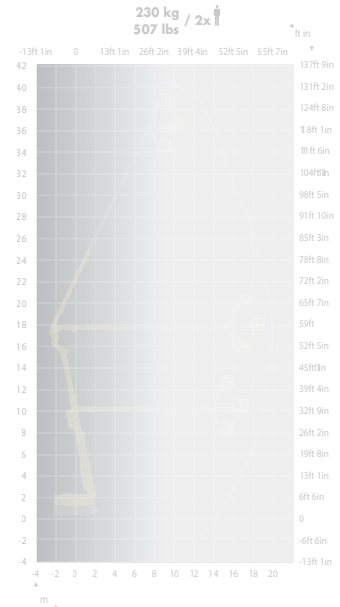
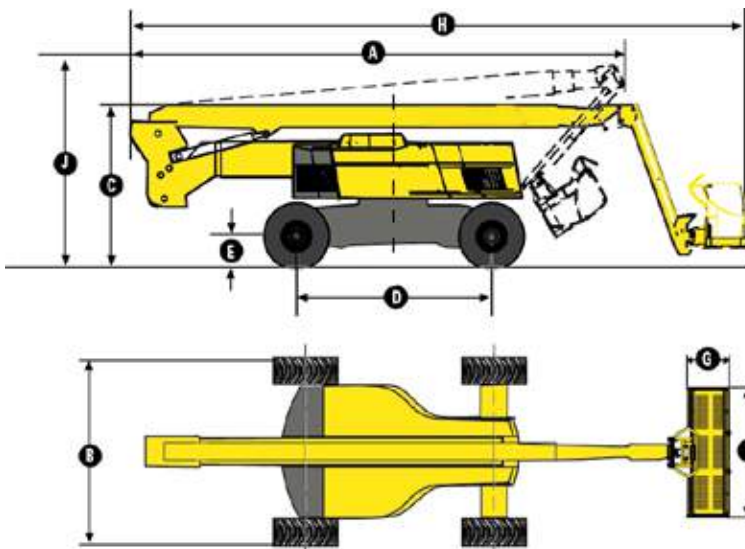
AH41JRT PRO

ROUGH TERRAIN ARTICULATING BOOMS

TECHNICAL DATA

AH41JRT PRO

Working height	41.5 m
Platform height	39.50 m
Horizontal outreach	20.1 m
Up and over clearance	17.50 m
Below ground reach	1.5 m
Lift capacity	230 kg
F x G Platform size	2.44 x 0.91 m
H Length - stowed	13.10 m
A Transport length	11 m
B Width	2.5 m
Width - with extended axles	3.3 m
C Height - stowed	2.99 m
J Transport height	3.73 m
Vertical jib rotation	140° (+70°/-70°)
Platform rotation	180° (+90°/-90°)
Turntable rotation	360° continuous
Tailswing	3.88 m
D Wheelbase	3.50 m
E Ground clearance	38 cm
Tilt	4°
Drive speed	0.5 - 5 km/h
Gradeability	40 %
Turning radius - outside axle extended	5.74 m
Tires - foam-filled	445/65-22.5
Power source	PERKINS 55.5 kW - 74.5 hp (Europe) / 62.4 kW - 84.9 hp (Outside Europe)
Weight	23 900 kg



STANDARD EQUIPMENT

- 4 wheel drive and steer
- Front oscillating axle increasing stability on uneven ground
- 2 extendable axles
- Differential wheel lock increasing rough terrain capacity
- Proportional controls enhancing comfort and safety
- 4 simultaneous movements for highest productivity
- 230 kg / 500 lbs (2 persons) load capacity unrestricted working envelope
- Common modular large platform with drop bar entry gate
- Upper control box protection cover and tool tray in plastic ultra-solid
- Power to platform 110V / 220 V (female plug in the basket)
- Hydrostatic transmission
- Safe to use in winds up to 45km/h - 28 mph
- Sound and light alarm for tilt and load
- Electric pump system and emergency descent controls upper control box
- 12 V battery
- Towing hooks
- Hourmeter
- Low fuel level indicator (upper control box)
- Engine pre-heater with light indicator
- Basket compensation +/-10°
- Travel alarm
- Driving beacon
- Enhanced Swing out engine tray for ease of maintenance
- Activ' Shield Bar (for Europe)

OPTIONS AND ACCESSORIES

- On-board hydraulic 3.5 kW generator
- Hydraulic oil cooler
- Hydraulic oil in tank and circuit for warm countries
- Biodegradable hydraulic oil
- Automatic Overspeed Air Shutdown Valve (Electric one-way valve, flame arrestor, spark arrestor)
- Cold weather kit
- Air line to platform
- Cap with key for diesel tank
- 55 W Platform working light
- Glazier Pack
- Pipe cradle pack
- Lateral swing door gate

