

INDUSTRY-LEADING WORKING RANGE

For the ultimate in reach and range, you can't beat the Genie® TZ™-50. With a working height of 55 ft 6 in (17.09 m), 29 ft 2 in (8.89 m) of outreach and 22 ft (6.71 m) of "up and over" clearance, the numbers speak volumes about the versatility of the TZ™-50. The fact that it's a favorite with contractors and rental yards says even more.



COMPACT NARROW VERSATILITY

The TZ™-50 offers outstanding "up, out and over" capabilities in a compact, lightweight package that is easy to maneuver in congested work areas. An assortment of options and accessories means you can customize the versatile TZ™-50 to meet your exact needs.



The TZ™-50 provides exceptional value in high reach lift equipment.

MOBILITY

The TZ™-50 goes where you need it with a variety of hitch coupler options for easy towing behind a pickup or SUV — and heavy-duty jockey wheels for precise positioning during setup. The optional Drive and Set™ feature allows you to drive the TZ™-50 to where you need to work.



SIMPLE LEVELING AND CONTROLS

Genie's patent-pending Automatic Leveling System™ allows the operator to hydraulically deploy the outriggers and level the machine to 1° in all directions. Plus, easy-to-use pictographs on both ground and platform controls offer simple, intuitive operation.



DESIGNED FOR SERVICEABILITY

From transport and setup to operation and service, the TZ™-50 keeps it simple, including easy access to batteries. Simply release the clamp and remove the cover.



FLEXIBLE WORKING RANGE

Along with the primary jib boom, the articulating jib boom provides an additional 4 ft 1 in (1.25 m) of horizontal reach and 135° of working range to position the platform above or below horizontal.

Specifications

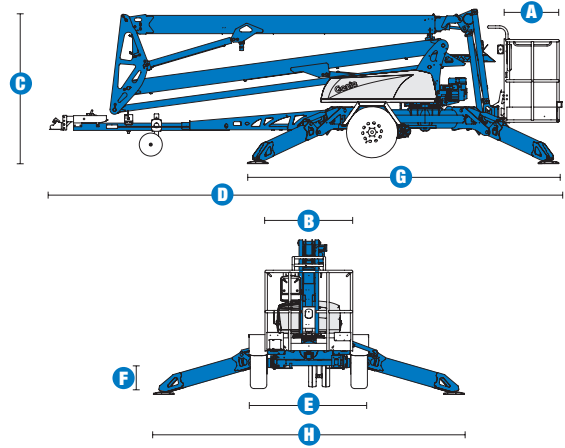
MODEL	TZ™-50	
MEASUREMENTS	US	Metric
Working height*	55 ft 6 in	17.09 m
Platform height	49 ft 6 in	15.09 m
Entry height	1 ft 8 in	.51 m
Horizontal reach	29 ft 2 in	8.89 m
Clear outreach	23 ft 1 in	7.04 m
Up and over clearance	22 ft	6.71 m
A Platform length	2 ft 2.8 in	.68 m
B Platform width	3 ft 8 in	1.12 m
C Height - stowed	6 ft 10 in	2 m
D Length - stowed	23 ft 6 in	7.16 m
E Width - stowed	5 ft 6 in	1.68 m
F Ground clearance - center	10 in	.25 m
G Length - outrigger footprint	14 ft 4 in	4.37 m
H Width - outrigger footprint	14 ft 4 in	4.37 m

PRODUCTIVITY		
Lift capacity (ANSI, CSA) - standard	500 lbs	227 kg
Lift capacity (ANSI, CSA) - rotating platform	500 lbs	227 kg
Lift capacity (CE/AUS) - standard	440 lbs	200 kg
Lift capacity (CE/AUS) - rotating platform	440 lbs	200 kg
Jib boom	4 ft 1 in	1.25 m
Jib working range	135°	
Self leveling platform	2.5° standard	
Platform rotation option	160° hydraulic	
AC power to platform	standard	
Turntable rotation	359° non-continuous	
Outrigger leveling capability	10°	
Drive speed	0.85 mph	1.37 km/h
Gradeability**	20%	
Towing speed rate	60 mph	97 km/h
Tongue weight - ANSI, CSA	400 lbs	181 kg
Tongue weight - CE	220 lbs	100 kg
Surge and parking brakes	standard	
Controls	variable speed system	
Tires - ANSI, CSA	ST 225/75 R15	
Tires - CE	215 R14C	
Coupler	2 in (5.08 cm) hitch coupler standard	

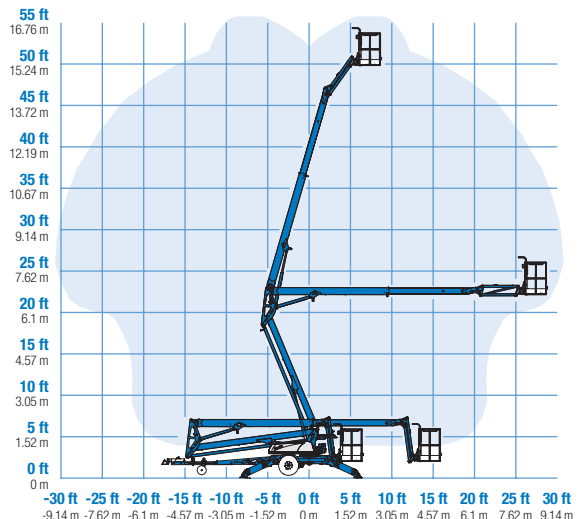
POWER		
Power source - standard	24V DC (four 6V 225 Ah batteries)	
Power source - drive option	24V DC (four 6V 244 Ah batteries)	
Power source - option	Hybrid DC/Gas Honda 5.5 hp (4.1 kW)	
Fuel tank capacity	.95 gal	3.6 L
Hydraulic tank capacity	4.75 gal	18 L
Hydraulic system capacity	8.0 gal	30 L

WEIGHT***		
ANSI, CSA, Australia	4,400 lbs	1,996 kg
CE	4,464 lbs	2,025 kg

STANDARDS COMPLIANCE ANSI A92.2, CSA C225, CE Compliance, AS 1418.10



RANGE OF MOTION TZ™-50



* The metric equivalent of working height adds 2 m to platform height. U.S. adds 6 ft to platform height.

** Gradeability applies to driving on slopes. See operator's manual for details regarding slope ratings.

*** Weight will vary depending on options and/or country standards.

Features

EASILY CONFIGURED TO MEET YOUR NEEDS

PLATFORM OPTIONS

- Aluminum 26.8 x 44 in (.68 x 1.12 m)
- 160° hydraulic platform rotation

POWER OPTIONS

- 24V DC power source
- Hybrid Honda 5.5 Hp (4.1 Kw) 45 amp charging system

DRIVE

- Drive and set option (ANSI, CSA, AUS)
- Drive only (CE)

COUPLER OPTIONS

Combination hitch

- 2 in (5.08 cm) ball coupler
- 2.31 in (5.87 cm) ball coupler
- 2.5 in (6.53 cm) I.D. pintle ring coupler
- Clevis coupler

TIRE OPTIONS

- ST 225/75 R15 tires (ANSI, CSA)
- 215 R14C tires (CE)

STANDARD FEATURES

MEASUREMENTS

- 55 ft 6 in (17.09 m) working height
- 29 ft 2 in (8.89 m) horizontal reach
- Up to 500 lb (227 kg) lift capacity

PRODUCTIVITY

- Industry leading working envelope
- Extension boom
- Self-leveling platform
- 4 ft jib with 135° working range
- AC wiring to platform
- Hydraulic outriggers
- Automatic 10° leveling system
- Outrigger interlocks
- Mechanical parking brake
- Hydraulic surge brakes
- Auxiliary pump down
- Combination hitch with coupler lever lock
- Dual jockey wheels
- 359° non-continuous turntable rotation
- Easy to access batteries
- Hour meter
- Tilt alarm / sensor
- Illuminated outrigger indicators

POWER

- 24V DC power source (four 6V 225 Ah batteries)



OPTIONS & ACCESSORIES

PRODUCTIVITY

- 160° hydraulic platform rotation
- Drive and set option with larger 244 Ah batteries pack
- 2 in (5.08 cm) ball coupler
- 2.31 in (5.87 cm) ball coupler
- 2.5 in (6.35 cm) I.D. pintle ring coupler
- Combination hitch
- Clevis coupler
- Wheel chocks
- Fluorescent tube caddy
- Full size spare tire
- Operational warning beacon package
- Non-marking outrigger footpads
- Battery charge indicator (BCI)
- Tool tray
- Bicycle guard (CE only)

POWER

- Hybrid Honda 5.5 Hp (4.1 Kw) 45 amp charging system option

Working At Height Limited

(Southern Office)
Amberley Court
Old Elstead Road
Milford
Surrey
GU8 5EB

Tel: 01483 415 410
Fax: 01483 417 719

Working At Height Limited

(Northern Office)
The Portergate
Ecclesall Road
Sheffield
South Yorkshire
S11 8NX

Tel: 0114 209 6206
Fax: 0114 209 6001

Suppliers of:

Powered Access Platforms
Aerial Work Platforms
Runabout Access Platforms
Scissor Lifts
Articulating Boom Access Platforms
Telescopic Boom Access Platforms
Material Lifts
Telehandlers
MEWPS Training